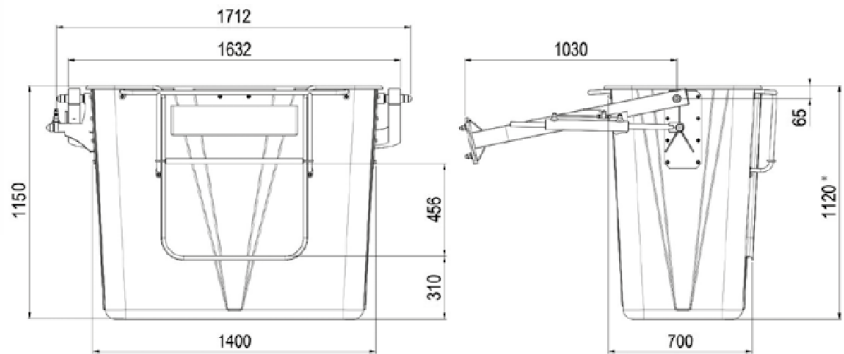


# CESTELLI PORTA OPERATORE PERSONNEL BASKETS



<b>FAV 2</b> VETRORESINA FIBERGLASS	700x1400x1150 mm	110 Kg	200 Kg	1 Kv	2
---	------------------	--------	--------	------	---

Necessario kit Fullmatic in conformità EN 280 - Kit Fullmatic needed for norm EN 280



\*Dal piano di calpestio  
\*Inside the basket



**FAV 1**



**FAV 1080/2**



**FAV 2**